



H A Harman International Company

# C 577

## Condenser Lavalier Microphone

### Description

The AKG Model C 577 is an extremely smooth omnidirectional microphone intended to be worn by actors and speakers who demand highest audio quality and complete freedom of movement on stage. It is suitable as well for vocal and instrumental pickup. Frequency response extends from 20 Hz to 20 kHz, providing the operating engineer with an absolutely neutral sound that can be equalized as needed. The microphone can handle sound pressure levels of 130 dB with only 1 % THD and operates with phantom powering over the range from 9 to 52 Vdc. The microphone employs a twin diaphragm design for greater sensitivity and low noise. The C 577 is shipped with a belt clip for holding the powering module, a lapel clamp, a tie pin, adhesive compound, and eleven colored windscreens to facilitate personal application under a wide variety of conditions. The finish is available in black.

### Specifications

<b>Transducer Principle:</b>	Pre-polarized condenser
<b>Frequency Range:</b>	20-20,000 Hz
<b>Polar Pattern:</b>	Omnidirectional
<b>Sensitivity at 1,000 Hz:</b>	8 mV/Pa $\hat{=}$ -42 dBV
<b>Equivalent Noise Level:</b>	26 dB-A
<b>Sound Pressure Level for 1% THD:</b>	130 dB
<b>S/N Ratio (A-weighted):</b>	68 dB
<b>Electr. Impedance:</b>	< 400 ohms
<b>Load Impedance:</b>	> 2,000 ohms
<b>Power Requirement:</b>	9-52 Vdc Phantom powering
<b>Connector:</b>	3-pin XLR type
<b>Cable Length:</b>	3 m (10 ft.)
<b>Finish:</b>	non reflective black
<b>Size:</b>	dia 5.5 mm (0.2 in.) length 14 mm (0.6 in.)
<b>Net/Shipping Weight:</b>	0.4 g (0.014 oz.)/200 g (7 oz.)
<b>Included Accessories:</b>	H 16 belt clip for power supply, H 40/1 tie clip, H 41 tie pin, Assorted colored wind screens, Adhesive compound
<b>Optional Accessories:</b>	B 18 battery power supply, N 62 E, N 66 E AC power supplies

### Features

- Slim profile and finish for unobtrusive wearing
- Extended low and high frequency response
- Omnidirectional pattern for natural sound quality
- High sensitivity (8 mV/Pa)
- High acoustic level capability (130 dB-SPL for 1.0 % THD)



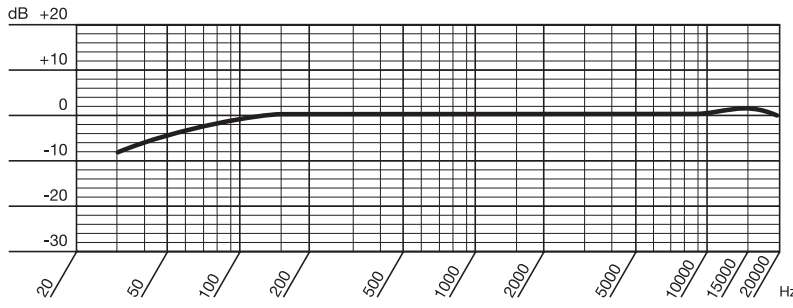
# Architect's and Engineer's Specifications

The microphone shall be an omnidirectional condenser type, no larger in diameter than 5.5 mm (0.2 in.) diameter and 14 mm (0.6 in.) length. The finish shall be black. On-axis frequency response shall be maintained within the range of 20 Hz to 20 kHz, as measured at 1 meter. Microphone sensitivity shall be at least 8 mV/Pa. The microphone shall operate in a sound field of 130 dB-SPL with no greater than 1% THD. The microphone shall operate

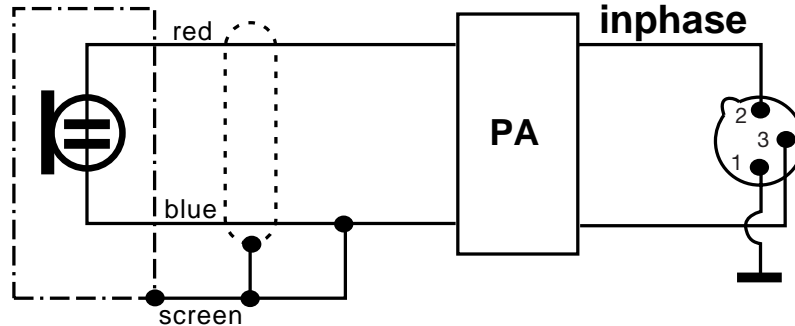
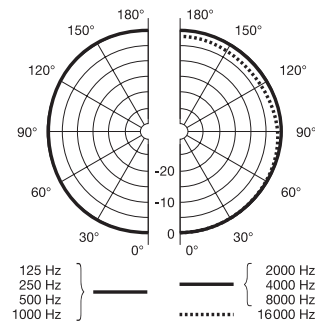
on phantom powering, covering the nominal standard limits of 12 to 48 volts. The microphone shall have provision for personal power supply mounting, label and tie mounting, and a windscreens. The microphone shall be the AKG model C 577.

## Graphical Data

On-axis Frequency Response (measured at 1 meter)



Polar Response



AKG is constantly improving and modifying its products, therefore, specifications are subject to change without notice.

### Limited Warranty

Valid only in the United States. AKG Acoustics warrants AKG products against defects in material or workmanship for a period of one year from the date of original purchase for use, and agrees to repair or, at our option, replace any defective unit without charge for either parts or labor. Important: This warranty does not cover damage resulting from accident, misuse or abuse, lack of reasonable care, the affixing of any attachment not provided with the product, loss of parts or connecting the product to any but the specified receptacles. This warranty is void unless service or repairs are performed by an authorized service center.

No responsibility is assumed for any special, incidental or consequential damages. However, the limitation of any right or remedy shall not be effective where such is prohibited or restricted by law. Simply take or ship you AKG product prepaid to our service department. Be sure to include your sales slip as proof of purchase date. (We will not repair transit damage under the no-charge terms of this warranty.) Note: No other warranty, written or oral is authorized by AKG Acoustics, Inc. This warranty gives you specific legal rights, and you may also have other rights which vary from state to state. Some states do not allow the exclusion or limitation of incidental or consequential damages or limitation on how long an implied warranty lasts, so the above exclusions and limitation may not apply to you.

## Microphones · Headphones · Wireless Microphones · Wireless Headphones · Headsets · Electroacoustical Components



H A Harman International Company

**AKG Acoustics GmbH**  
Lemböckgasse 21-25, P.O.B. 158, A-1230 Vienna/AUSTRIA  
Tel: (43 1) 86 654-0\*, Fax: (43 1) 86 654-516  
Internet: <http://www.ake-acoustics.com>

**AKG Acoustics;** A Division of Harman Pro Germany  
Bodenseestraße 228, D-81243 München/GERMANY  
Tel: (089) 87 16-0, Fax: (089) 87 16-200

**Arbiter Pro Audio**  
Wilberforce Road, London NW9 6AX/ENGLAND  
Tel: (0181) 202 1199, Fax: (0181) 202 7076

**AKG ACOUSTICS, U.S.**  
1449 Donelson Pike, Airpark Business Centre 12,  
Nashville, TN 37217, U.S.A.  
Tel: (615) 360-0499, Fax: (615) 360-0275

**Studer Japan Ltd.**  
2-43-7, Uehara, Shibuya-ku, Tokyo 151-0064/JAPAN  
Tel: (813) 3465-2211, Fax: (813) 3465-2214

**Erikson Pro Audio**  
620 McCaffrey, St-Laurent, Quebec, H4T 1N1, CANADA  
Tel: (514) 738-3000, Fax: (514) 737-5069  
Internet: [www.jam-ind.com/eriksonpro](http://www.jam-ind.com/eriksonpro)