



H A Harman International Company

HSC 200 PC

Computer Headset

Description

Headset with semiopen headphones and a high quality microphone. The electret microphone rests in a shock mount that supresses both cable noise and acoustic leakage of the headphones signal to the microphone. The microphones pickup characteristic is cardioid. The headphones have a built in mechanic filter to lower level of high frequencies out of hearing range (DHF). The connectors are 3.5 mm (1/4") gold plated stereojacks.

Specifications

Microphone:

Transducer Principle:	condenser prepolarized
Frequency Range:	20-20,000 Hz
Polar Pattern:	cardioid
Sensitivity at 1,000 Hz:	7 mV/Pa $\hat{=}$ -43 dBV
Equivalent Noise Level:	< 25 dB-A
S/N Ratio (A-weighted):	> 69 dB
Electr. Impedance:	< 200 ohms
Load Impedance:	> 2,000 ohms
Power Requirement:	9 to 25 volts phantom power
Connector:	3.5 mm (1/4") stereo jack

Special Features/Applications:

microphone with wide frequency range for all PC applications

Included Accessories:	foam windscreen
------------------------------	-----------------

Headphones:

Transducer Principle:	dynamic
Type:	semi open, supra aural
Frequency Range:	20-28,000 Hz
Rated Impedance:	100 ohms/system
Cable Length:	3 m (10 ft.)
Finish:	non reflective black
Net Weight:	250 g (8.8 oz.)

Special Features/Applications:

High quality headset for computer applications

Included Accessories:	foam windscreen, DHF filter
------------------------------	-----------------------------

Features

- High quality headphones
- High quality microphone
- Cardioid microphone pickup
- Wide microphone frequency range
- DHF headphones frequency filter

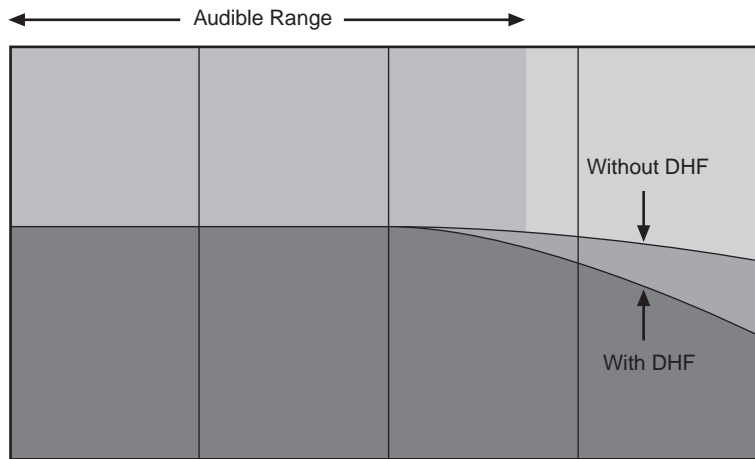
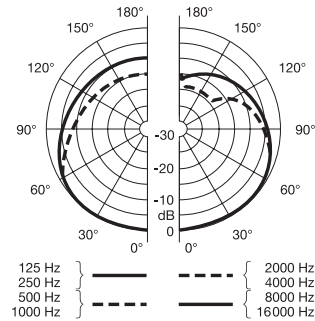
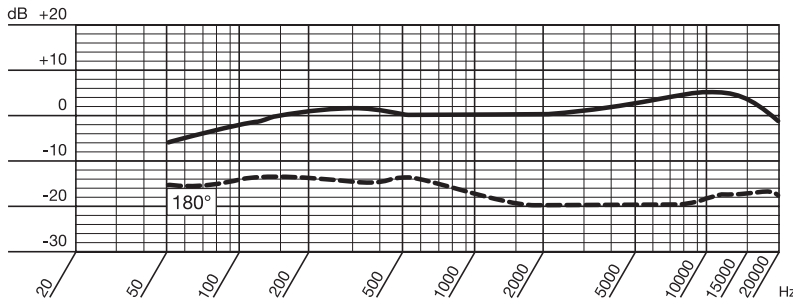


Architect's and Engineer's Specifications

The headset shall have semi open designed headphones and a microphone, resting on a flexible gooseneck and a shockmount. The microphone shall have a cardioid pickup range with a wide frequency response of 20 to 20,000 Hz. It shall have a sensitivity of 7 mV/Pa (-43 dBV). It shall include a high performance windscreen. The headphones

shall have a built in mechanic filter to lower level of high frequencies out of hearing range (DHF). Colour: Non reflective black. The computer headset shall be the AKG HSC 200 PC.

Graphical Data



AKG is constantly improving and modifying its products, therefore, specifications are subject to change without notice.

Limited Warranty

Valid only in the United States. AKG Acoustics warrants AKG products against defects in material or workmanship for a period of one year from the date of original purchase for use, and agrees to repair or, at our option, replace any defective unit without charge for either parts or labor. Important: This warranty does not cover damage resulting from accident, misuse or abuse, lack of reasonable care, the affixing of any attachment not provided with the product, loss of parts or connecting the product to any but the specified receptacles. This warranty is void unless service or repairs are performed by an authorized service center.

No responsibility is assumed for any special, incidental or consequential damages. However, the limitation of any right or remedy shall not be effective where such is prohibited or restricted by law. Simply take or ship you AKG product prepaid to our service department. Be sure to include your sales slip as proof of purchase date. (We will not repair transit damage under the no-charge terms of this warranty.) Note: No other warranty, written or oral is authorized by AKG Acoustics, Inc. This warranty gives you specific legal rights, and you may also have other rights which vary from state to state. Some states do not allow the exclusion or limitation of incidental or consequential damages or limitation on how long an implied warranty lasts, so the above exclusions and limitation may not apply to you.

Microphones · Headphones · Wireless Microphones · Wireless Headphones · Headsets · Electroacoustical Components



H A Harman International Company

AKG Acoustics GmbH
Lemböckgasse 21-25, P.O.B. 158, A-1230 Vienna/AUSTRIA
Tel: (43 1) 86 654-0*, Fax: (43 1) 86 654-516
Internet: <http://www.akg-acoustics.com>

AKG Acoustics; A Division of Harman Pro Germany
Bodenseestraße 228, D-81243 München/GERMANY
Tel: (089) 87 16-0, Fax: (089) 87 16-200

Arbiter Pro Audio
Wilberforce Road, London NW9 6AX/ENGLAND
Tel: (0181) 202 1199, Fax: (0181) 202 7076

AKG ACOUSTICS, U.S.
1449 Donelson Pike, Airpark Business Centre 12,
Nashville, TN 37217, U.S.A.
Tel: (615) 360-0499, Fax: (615) 360-0275

Studer Japan Ltd.
2-43-7, Uehara, Shibuya-ku, Tokyo 151-0064/JAPAN
Tel: (813) 3465-2211, Fax: (813) 3465-2214

Erikson Pro Audio
620 McCaffrey, St-Laurent, Quebec, H4T 1N1, CANADA
Tel: (514) 738-3000, Fax: (514) 737-5069
Internet: www.jam-ind.com/eriksonpro