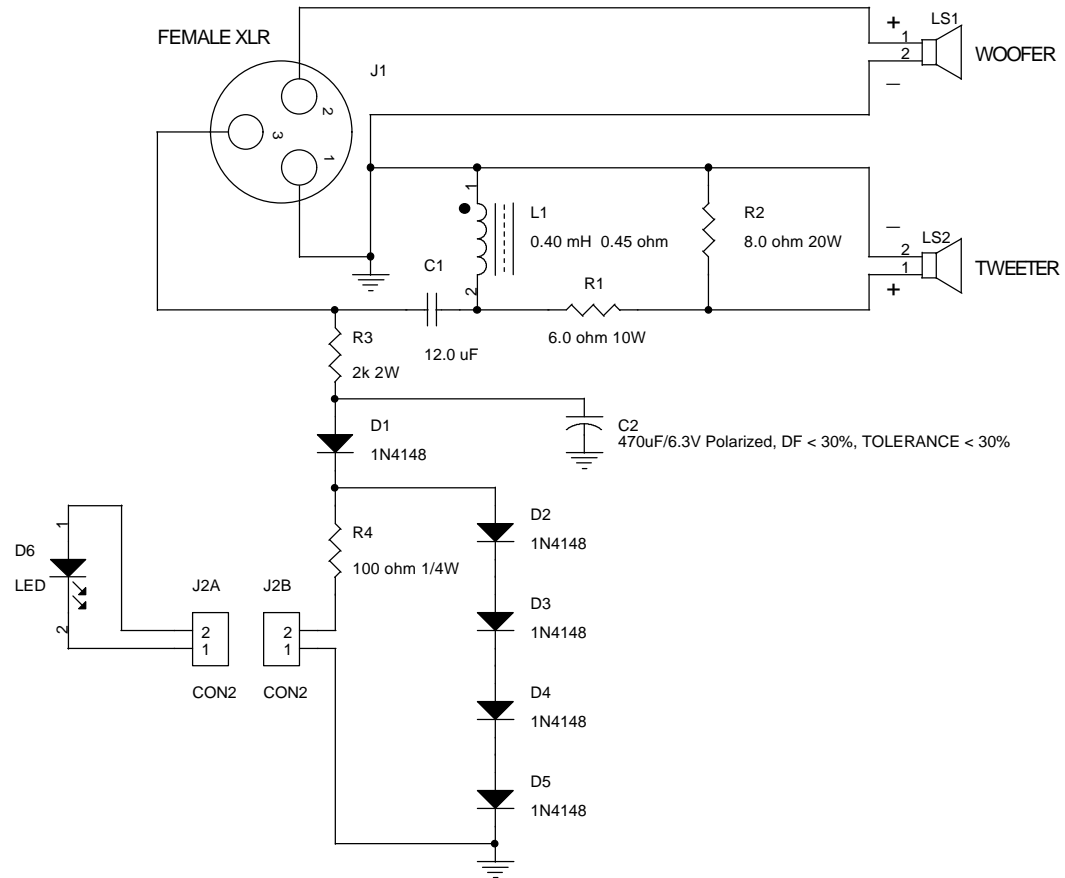


Crossover In Monitor



NOTES:
ALL TOLERANCES 10% UNLESS NOTED.

ALL CAPACITORS 100V 6%DF 10% TOLERANCE
NON POLAR ELECTROLYTIC UNLESS OTHERWISE NOTED.

WOOFER LEADS 18AWG TWIN LEAD (+ RED, - BLACK)
14" LONG WITH .205" CONNECTOR ON POSITIVE
AND .110" CONNECTOR ON NEGATIVE.

TWEETER LEADS 18AWG TWIN LEAD (+ BLUE,- BLACK)
16" LONG WITH .110" CONNECTORS ON POSITIVE AND NEGATIVE.

CROSSOVER BOARD MOUNTED TO CROSSOVER CUP.
FEMALE XLR TO BE NEUTRIK NC3FD-V.

C1, L1, R1 AND R2 TO BE GLUED TO PC BOARD WITH HIGH
TEMPERATURE STABLE GLUE.

L1 TO BE LAMINATE CORE AND TO BE ZIP TIED TO PC BOARD.

LED TO BE GREEN T-1 IN LED-SOCKET WITH 14" LONG LEADS
PACKAGED SEPERATELY.

J2 TO BE POLARIZED LOCKING CONNECTOR.

VERGENCE TECHNOLOGY, INC.

Title		A-20 CROSSOVER PART NO. N-XVR-002-2	
Size	Document Number	Rev	D
Date:	Friday, January 28, 2000	Sheet	1 of 1