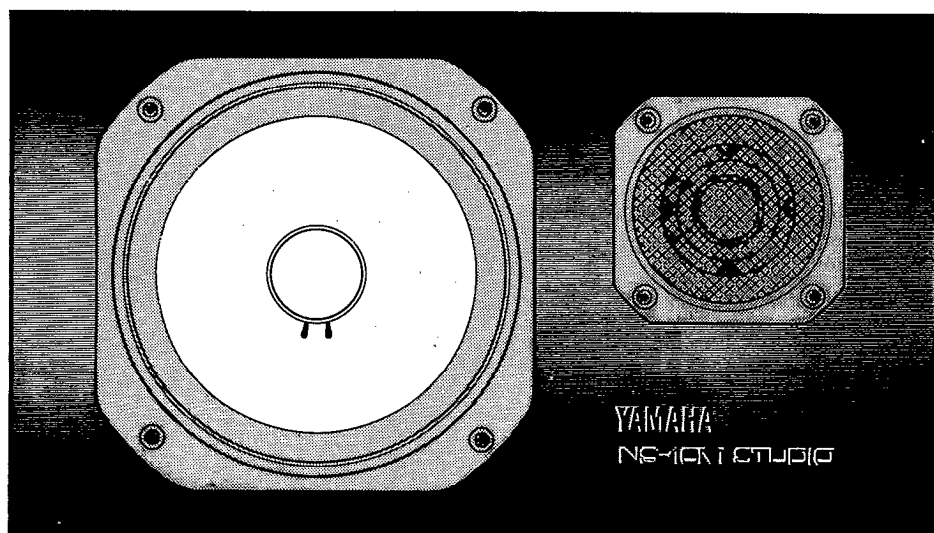


YAMAHA



**NS-10M STUDIO**

**MONITOR SPEAKER SYSTEM**

*Congratulation on your purchase of a Yamaha NS-10M STUDIO Monitor Speaker System! The NS-10M STUDIO has been painstakingly designed to offer superior near-field monitoring performance in professional studio applications. This same superb performance makes the NS-10M STUDIO an unbeatable choice for home recording and even audio listening.*

*In order to make the most of the outstanding sound the NS-10M STUDIO Monitor Speaker System has to offer, we urge you to read this Owner's Manual thoroughly.*

## PRECAUTIONS

- Make sure that the power to your amplifier is turned OFF before connecting the speakers.
- Do not attempt to drive the speakers at levels above their rated power capacity. Excessive power can lead to serious damage.
- Be sure to match the polarity of the speaker terminals (+, -) with the outputs of your amplifier. If the polarity of the left and right speakers is reversed, proper stereo imaging will be impossible to achieve and irregular response will result.
- This speaker system is not provided with grilles over the woofers. Avoid touching the woofer cone – particularly the center cap-with fingers or any other object prevent possible damage.
- To achieve optimum performance, use audio-quality heavy-gauge speaker cable.

## FEATURES

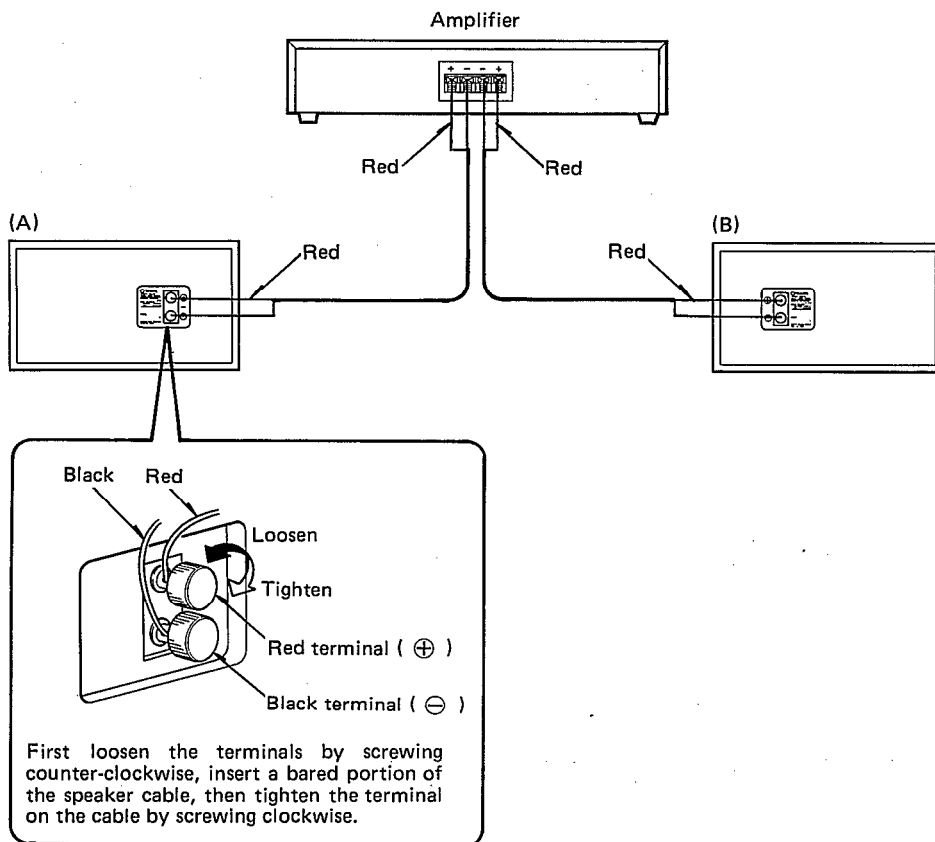
- **Woofer**  
The 18 cm (7") woofer features a conical, straight cone formed from a sheet of specially developed paper material, achieving precise piston motion for accurate, distortion-free reproduction. The cone weights a mere 3.7 grams, allowing it to respond ideally even with extremely low input levels. Power linearity is superb from the lowest to highest input levels.
- **Tweeter**  
The 3.5 cm (1-3/8") tweeter dome is a laminated soft-dome type incorporating two specially selected resins. A unique manufacturing technique ensures perfectly even resin layers and forms the dome and tangential edge in one piece. The dome and edge unit weights only 0.6 grams, achieving superb transient response with minimum distortion.
- **Enclosure**  
Only the finest audio-quality high-density particle board is used in this sealed bookshelf-type enclosure. A real-wood exterior with a black finish applied in 7 coatings adds rugged durability and beauty to professional-quality sound.
- **Crossover Network**  
Low-distortion inductors and selected MP capacitors are combined in a carefully designed layout to ensure smooth crossover with minimum loss and distortion.
- **Speaker Terminals**  
Large screw-type terminals easily accept heavy-gauge speaker cable for optimum reproduction performance.

# CONNECTION

**BEFORE MAKING SPEAKER CONNECTIONS, MAKE SURE YOUR POWER AMPLIFIER IS TURNED OFF!**

## ● Connecting the Speakers

The terminals on the rear of the left and right speakers must be connected to the corresponding speaker output terminals on the rear of your power amplifier with appropriate speaker cables. Make sure that the right speaker is connected to the speaker output terminals on the amplifier marked "R" or "RIGHT", and the left speaker is connected to the amplifier output terminals marked "L" or "LEFT." Also make sure that the red (+) terminal on each speaker is connected to the (+) output terminal of corresponding pair on the amplifier, and the black (-) terminal on the speaker is connected to the (-) terminal, on the amplifier. If the speaker polarities are not properly matched, unstable stereo imaging and distortion will result.



## ● Placement

The NS-10M STUDIO speakers are basically designed for horizontal placement, the speaker marked (A) in the above illustration corresponding to the right speaker and the (B) to the left. According to your requirements, however, the positions of the speakers may be reversed or they may be placed vertically with no effect on reproduction quality. The speakers are marked (A) or (B) to the right of the serial number on the rear panel label.

## ● Slippage at High Power Levels

Vibration occurring when the speakers are driven at high power levels may cause them to move out of position. This can be prevented by applying the supplied non-slip sheet to the bottom surface of the speaker enclosures.

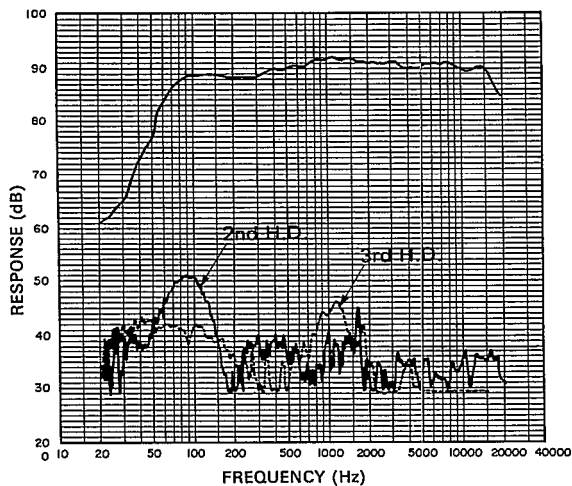
# SPECIFICATIONS

Frequency Range	60Hz~20kHz
Power Capacity	Program: 60W Max.: 120W
Nominal Impedance	8 ohms
Sensitivity	90dB SPL (1W, 1m on axis)
Crossover Frequency	2kHz
Components	LF: JA1801 (18 cm cone) HF: JA0518A (3.5 cm soft dome)
Enclosure	10.4 liter, sealed bookshelf
Dimensions (W x H x D)	381.5mmx215mmx197.5mm (15" x 8-1/2" x 7-3/4")
Weight	6.3 kg (13.9 lbs.) (1 speaker)
Supplied Accessory	Non-slip sheet

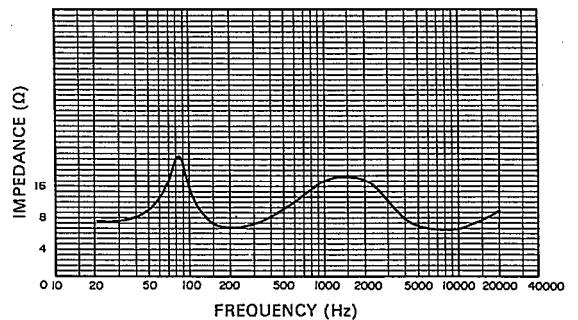
*\*Specifications and external appearance subject to change without notice.*

# TECHNICAL DATA

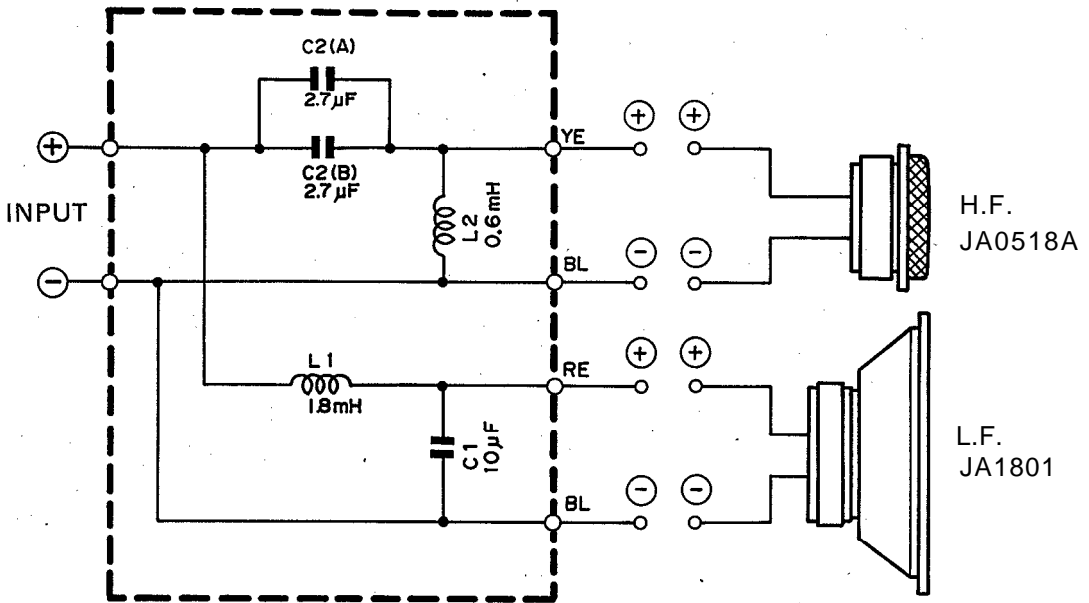
■ **FREQUENCY RESPONSE/HARMONIC DISTORTION**  
(1W, 1m on axis, in anechoic chamber)



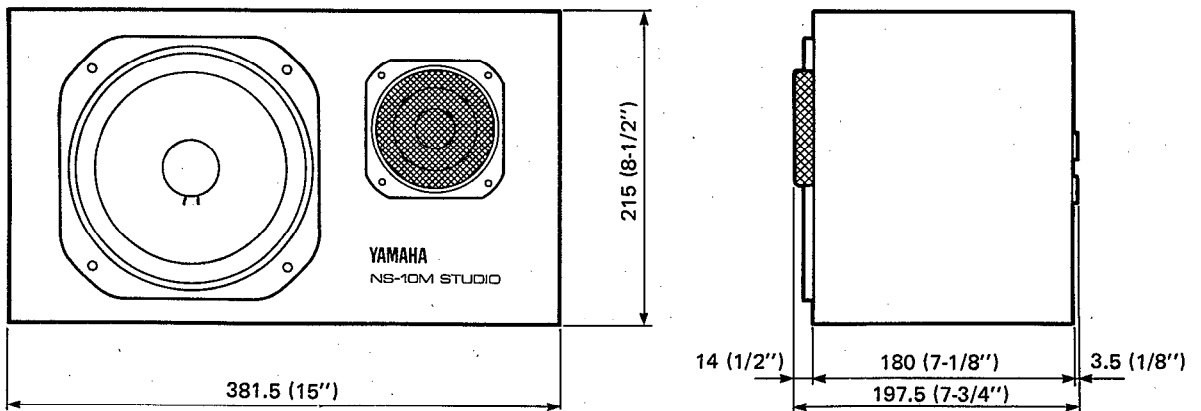
■ **IMPEDANCE VS FREQUENCY**



# CIRCUIT DIAGRAM



# DIMENSION CHART



Units: mm (Inch)



#### SERVICE

The NS-10M STUDIO are supported by Yamaha's worldwide network of factory trained and qualified dealer service personnel. In the event of a problem, contact your nearest Yamaha dealer.

Les enceintes NS-10M STUDIO sont prises en charge par le réseau mondial de Yamaha avec ses usines et son personnel de service qualifié. En cas de problème, contactez la concessionnaire Yamaha la plus proche.

Dem NS-10M STUDIO steht das weltweite Yamaha Kundendienstnetz mit qualifizierten Technikern zur Verfügung. Im Falle einer Störung sofort den Fachhandel in Ihrer Nähe benachrichtigen.